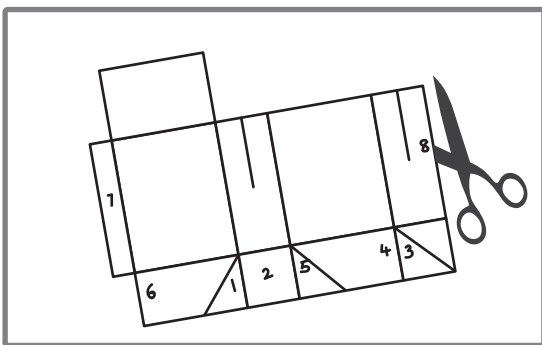


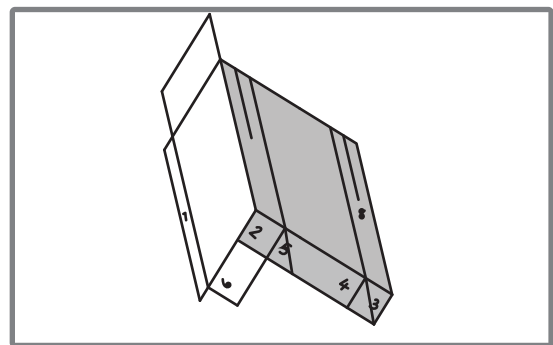
### What you'll need

- Scissors
- Glue
- Coloured card (optional)

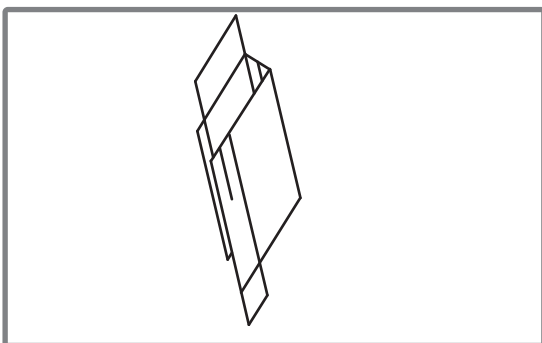
### Steps:



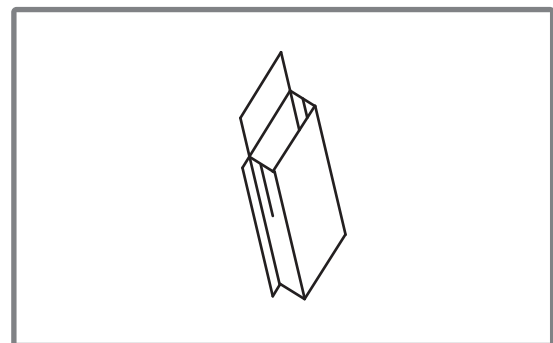
1) Use the template on page 3 and cut out the gift bag carefully along the dotted lines. You can colour it in first if you want to.



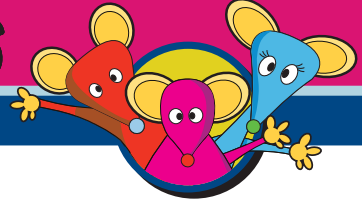
2) Make a fold on all the lines on the template (this will make it easier to create the bag). Put some glue on tab 1 and then fold tab 2 on top of tab 1 and stick it down as shown in the picture above.



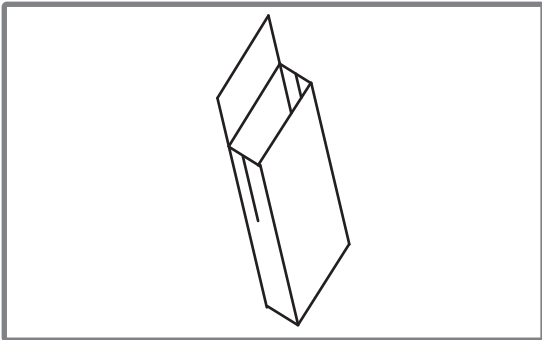
3) Next you need to put some glue on tab 3 and then fold tab 4 on top of tab 3 and stick it down as shown in the picture above.



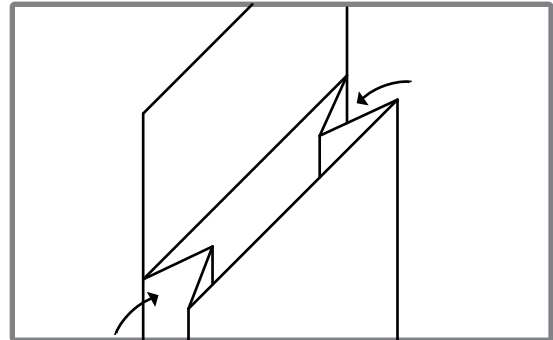
4) Put some glue on tab 4 and tab 5 and then fold tab 2 and tab 6 on top of tab 4 and tab 5, press them together to make sure they stick down properly. This should now give you a bottom to your bag as shown in the picture above.



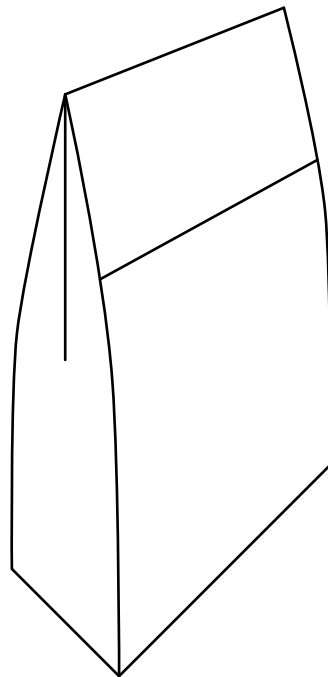
## Mother's Day: DIY Gift Bag



5) Put some glue along tab 7 and then tuck it behind tab 8. Press them together to make sure they stick in place.



6) At the top of the bag, pinch the sides inwards along the lines and fold the top down as shown in the picture above.



7) When all the glue is dry, your gift bag is ready! You can put chocolates, sweets, or other small gifts for mum.

**TIP:** Decorate your gift bag by sticking on some nice ribbon or string on the top flap.

**TIP:** You can put Vouchers for Mum from the Mouse Club website in the gift bag.

