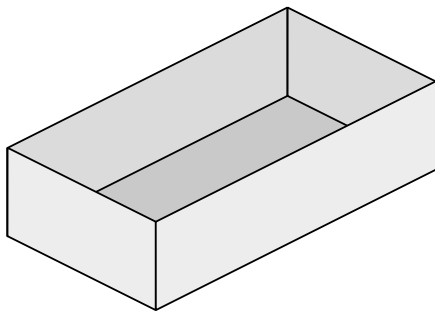


Shoebox Guitar

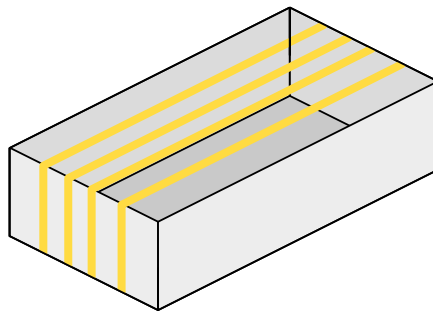
This is a simple activity for you to enjoy with your children.

You will need:

- An empty shoe box or similar sized cardboard box,
- 2-4 large rubber bands 30cm ruler or long stick
- Crepe or shiny paper
- Sequins buttons and glitter



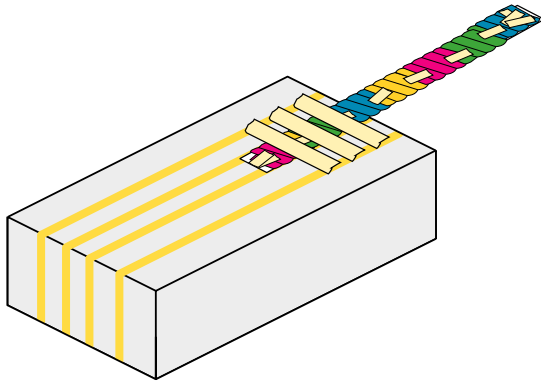
1. If you are using a shoebox, remove the lid. Alternatively, cut the flaps off the cardboard box so you are just left with the base.



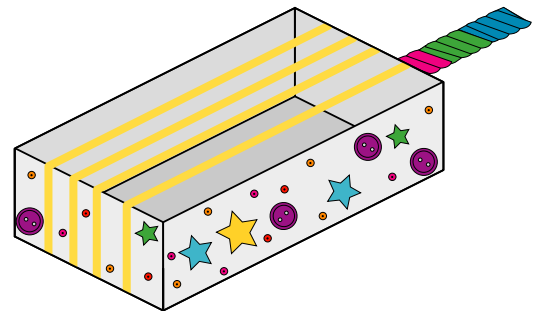
2. Stretch the rubber bands around the empty box length-ways.



3. Cut long strips of crepe or shiny paper and wrap around the ruler/stick to make a bright pattern. Fix with tape at the back.



4. Turn the box over and tape the ruler or stick to the back to act as a guitar arm.



5. Turn the box over again and decorate with sequins buttons glitter, shiny paper, or anything else you'd like.

Now you have your very own guitar! To play this guitar you simply pluck or strum the rubber bands.

Note: These are activities for you and your child to enjoy together. The safety of your child is obviously very important. Please use caution when using scissors and other materials in your child's presence.